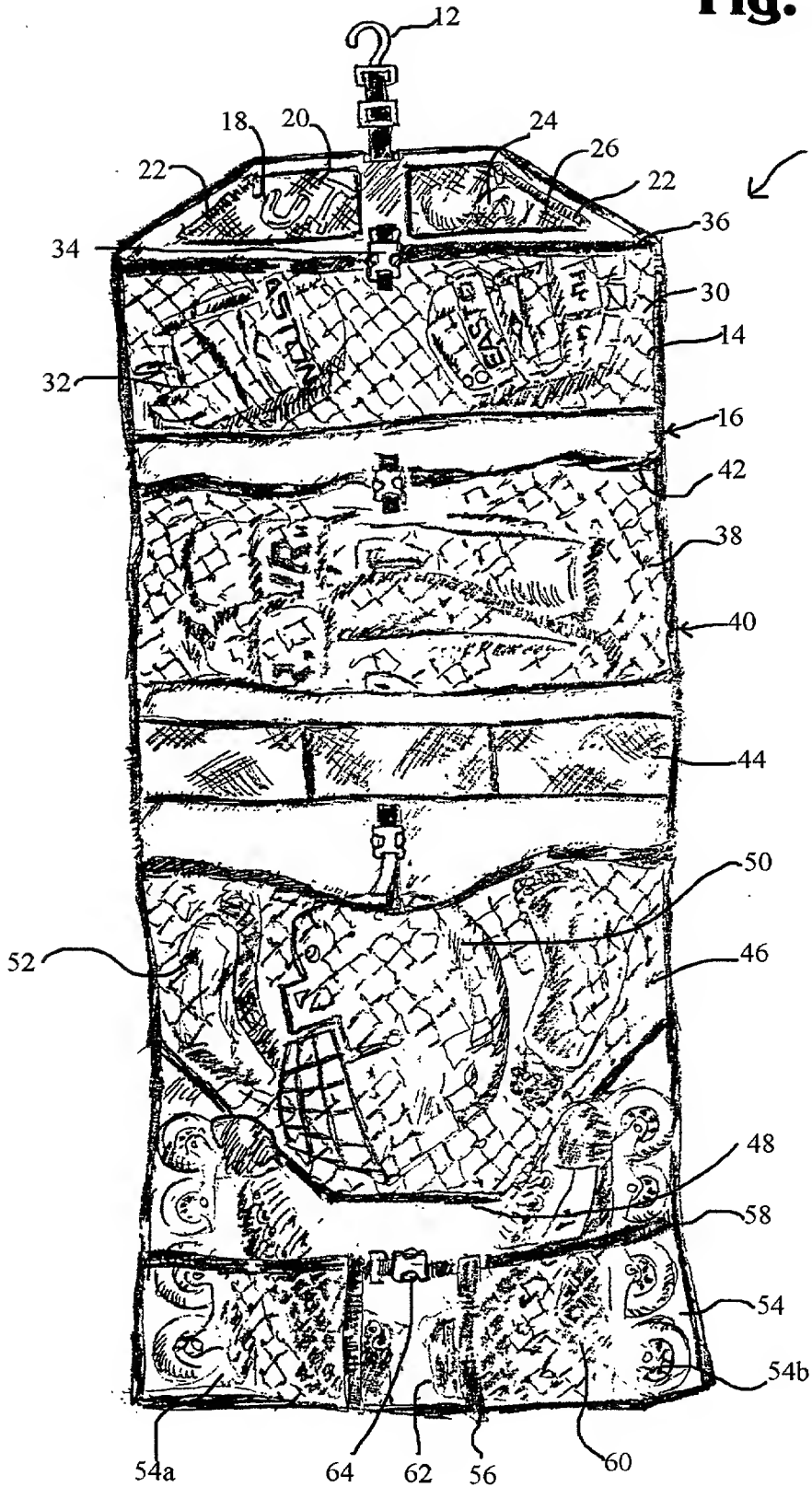


U.S. PAT. OFF. FILED
MAY 19 1964
OFFICE OF THE COMMISSIONER OF PATENT AND TRADEMARKS
WASHINGTON, D.C. 20540

Fig. 1



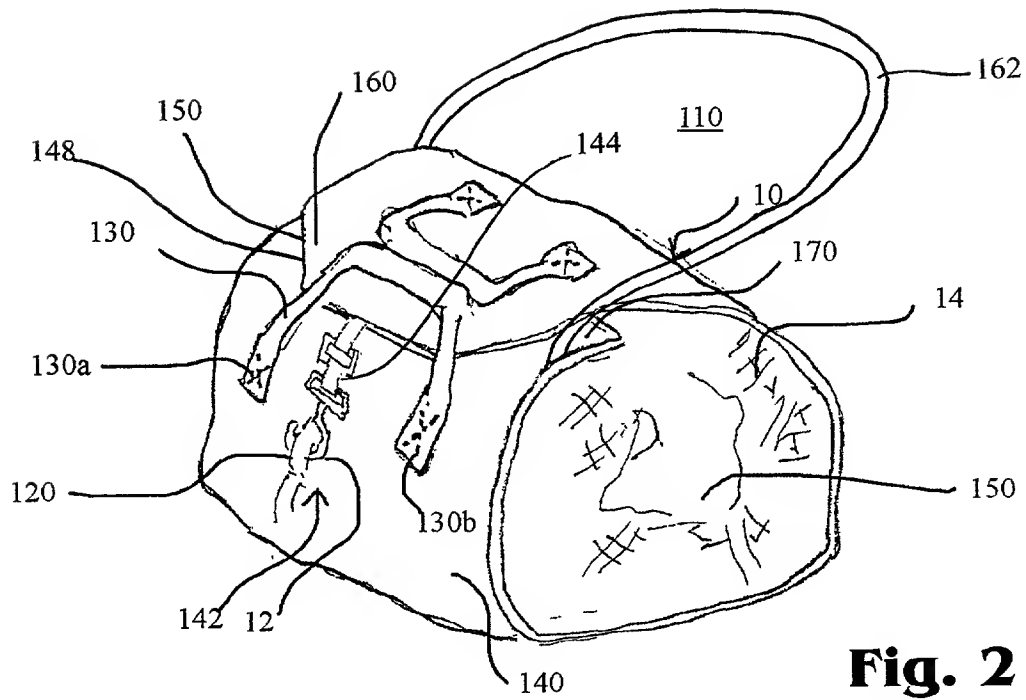


Fig. 2

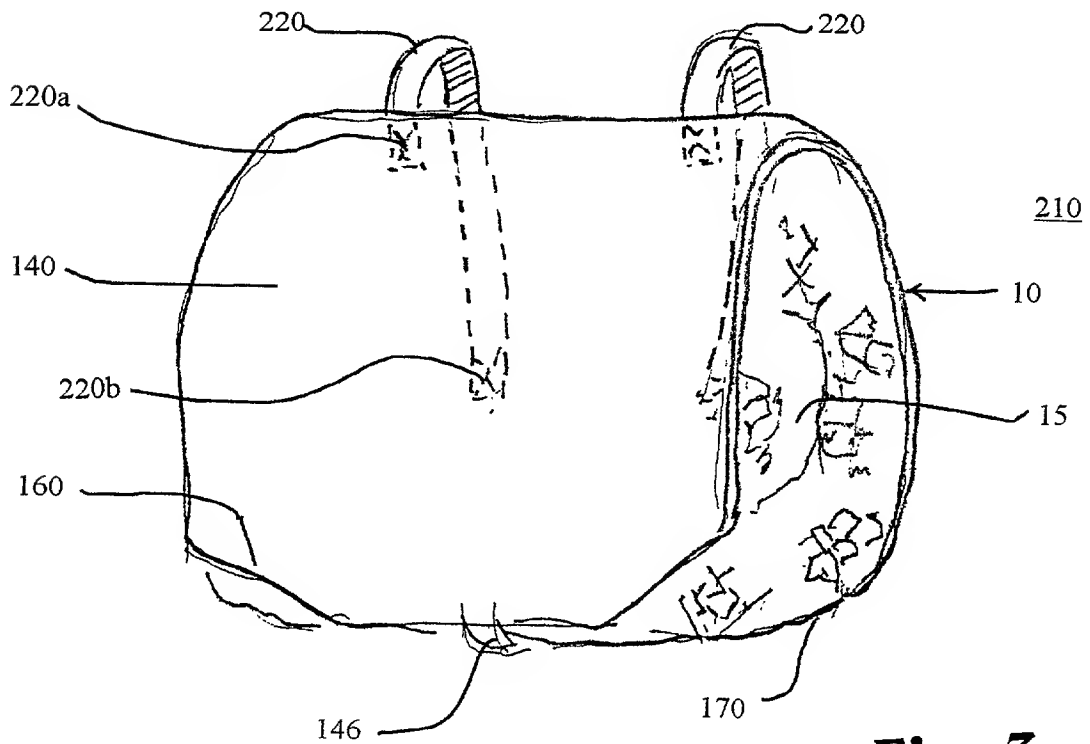
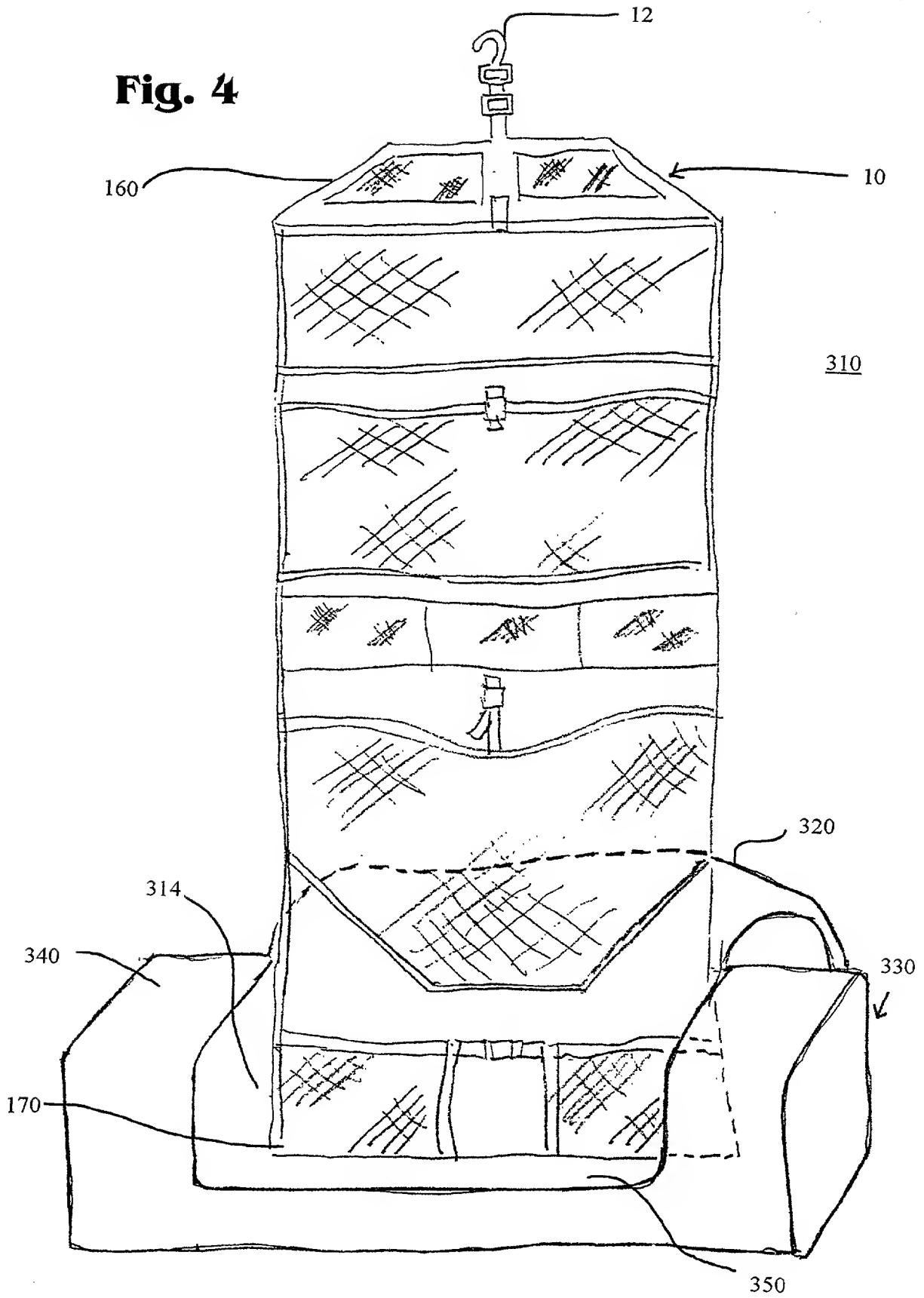


Fig. 3

Fig. 4



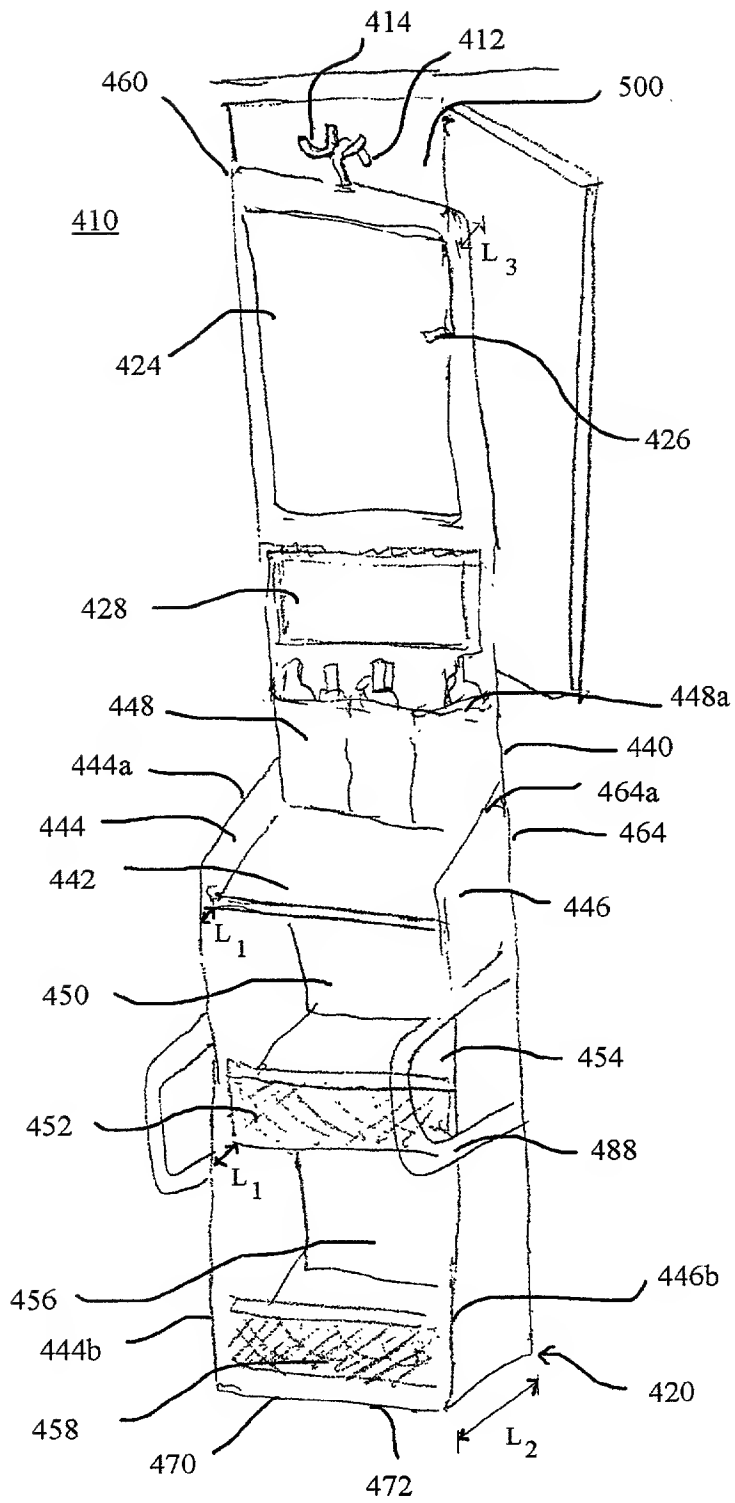


Fig. 5

Fig. 6

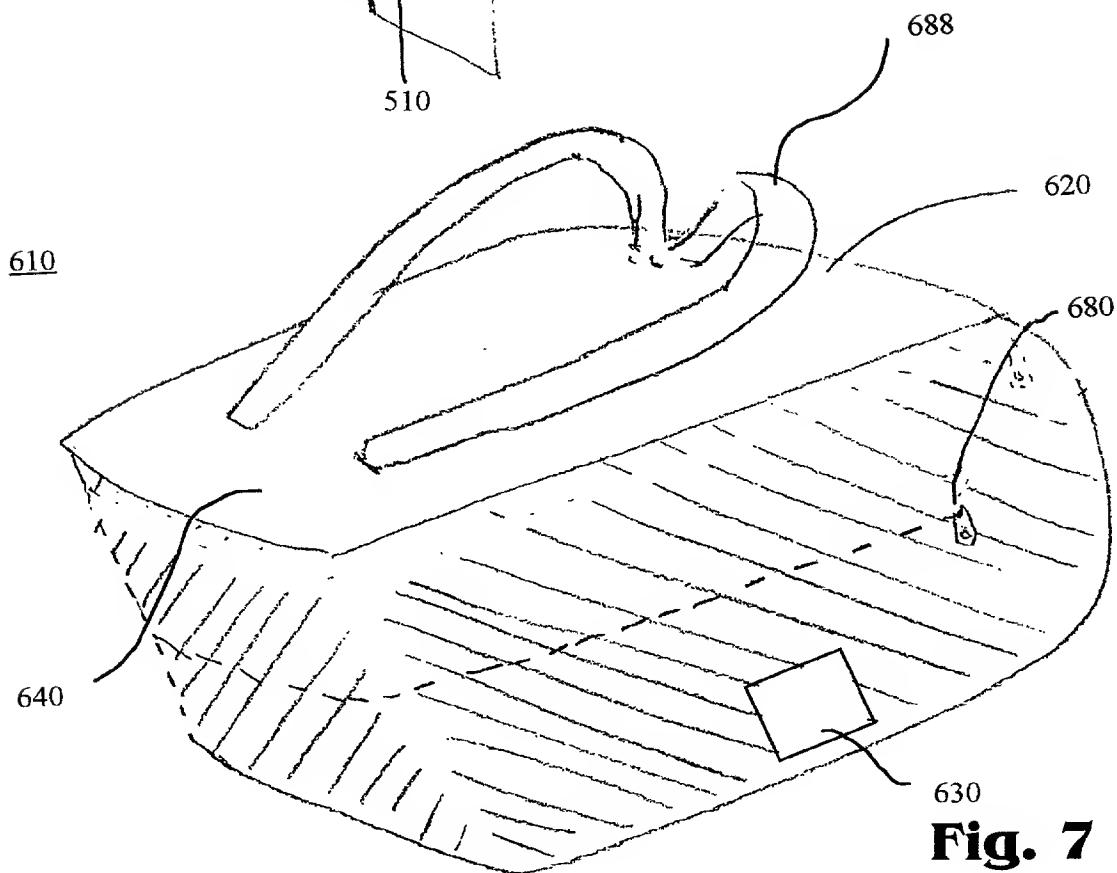
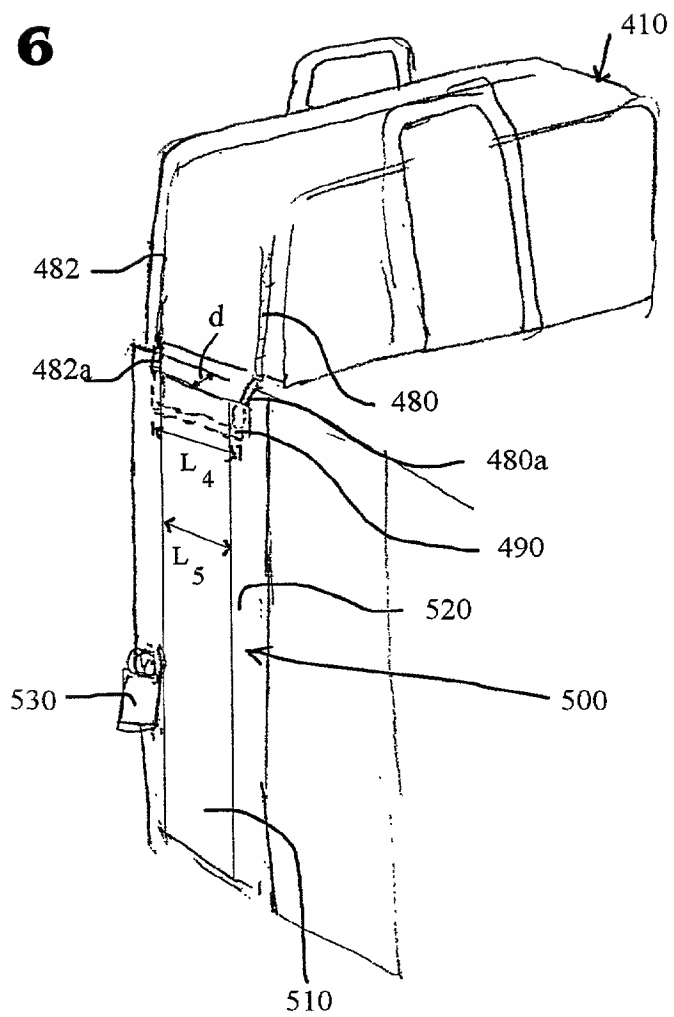


Fig. 7

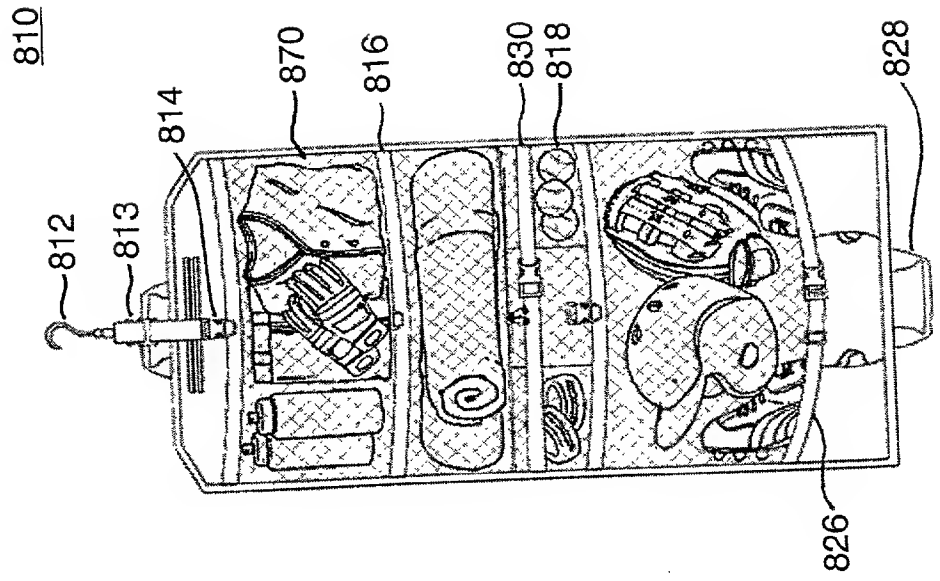


Fig. 8

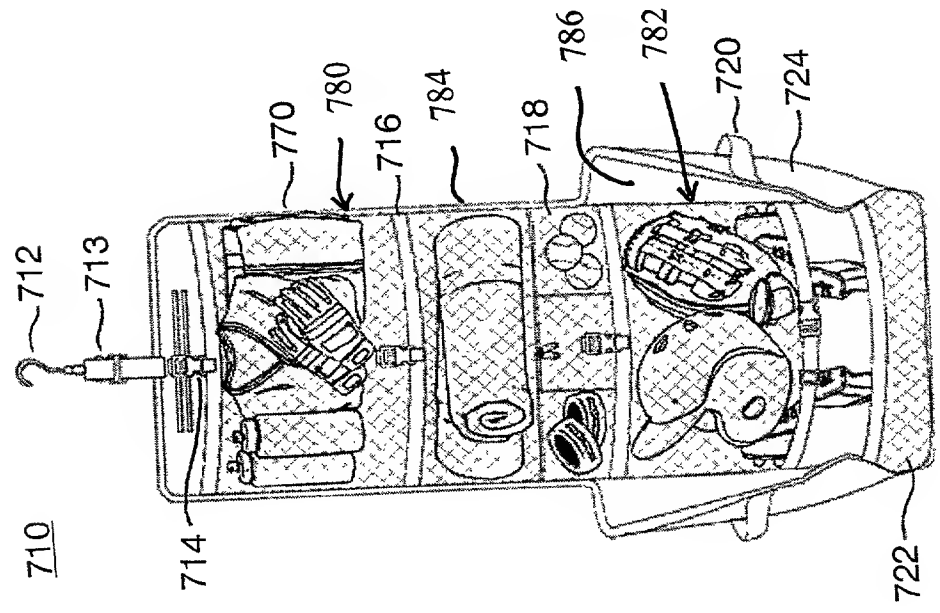


Fig. 9

www.ksars.org

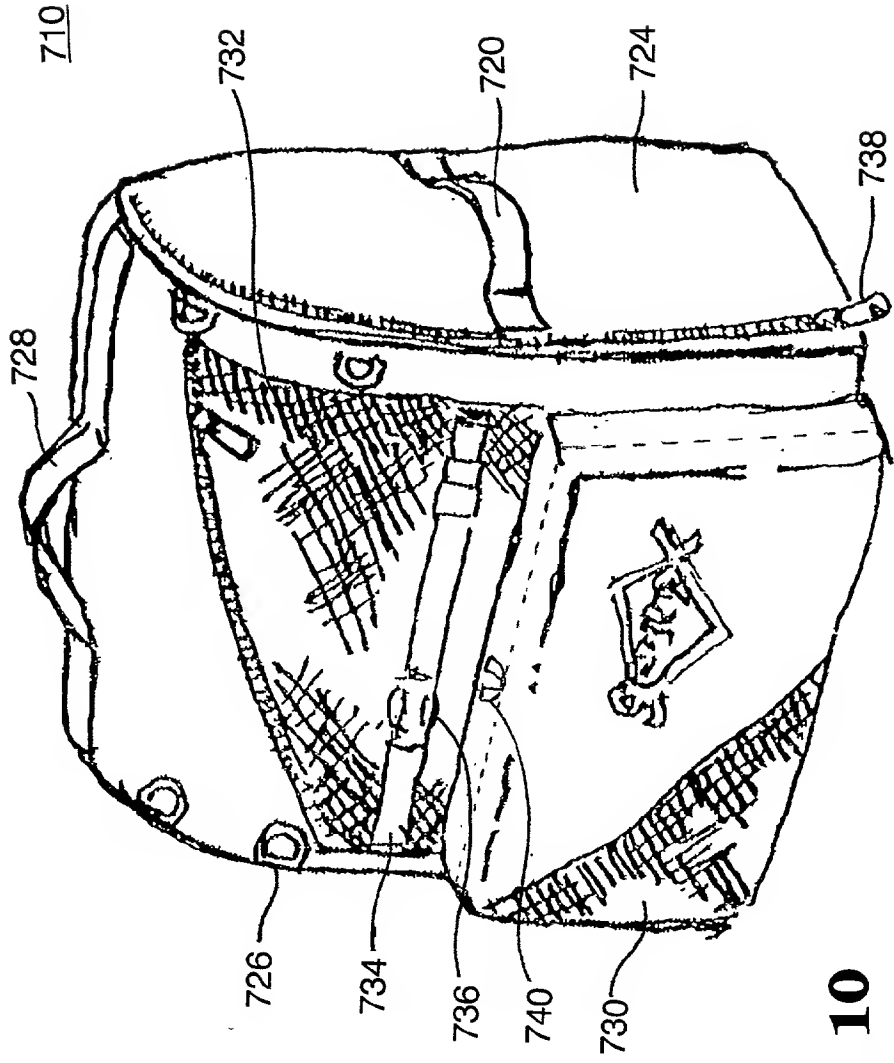


Fig. 10

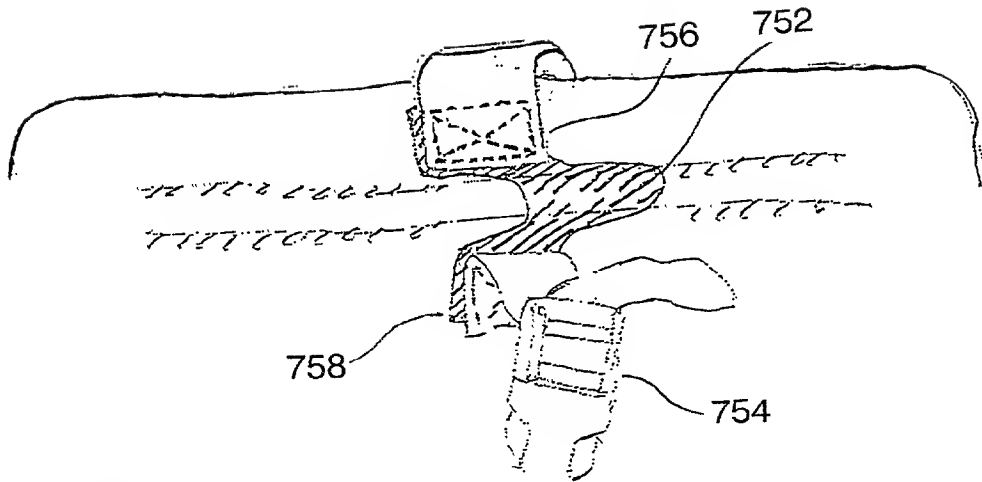


Fig. 11

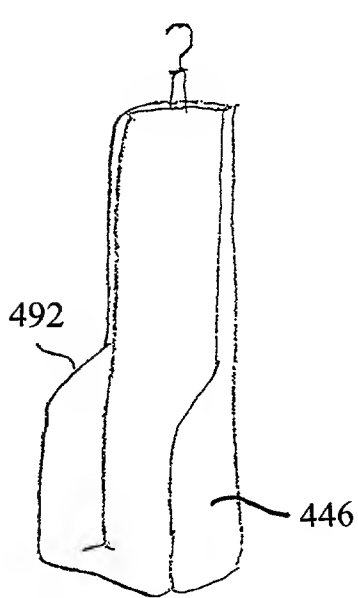


Fig. 12

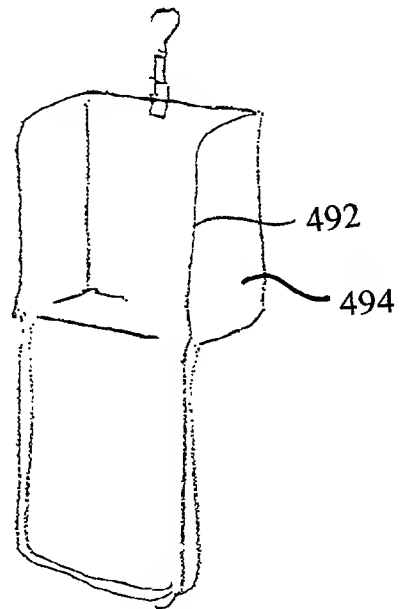


Fig. 13

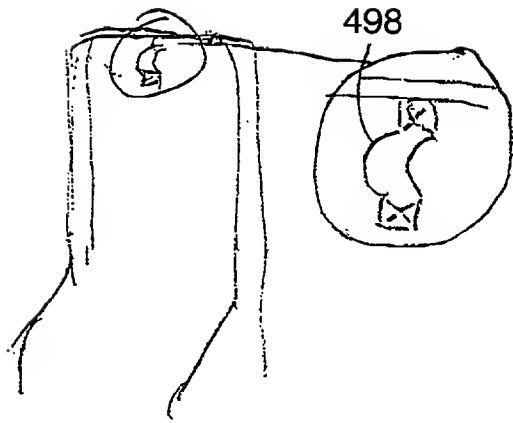


Fig. 14

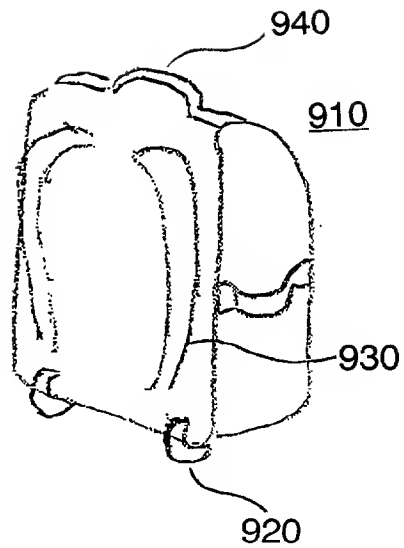


Fig. 15

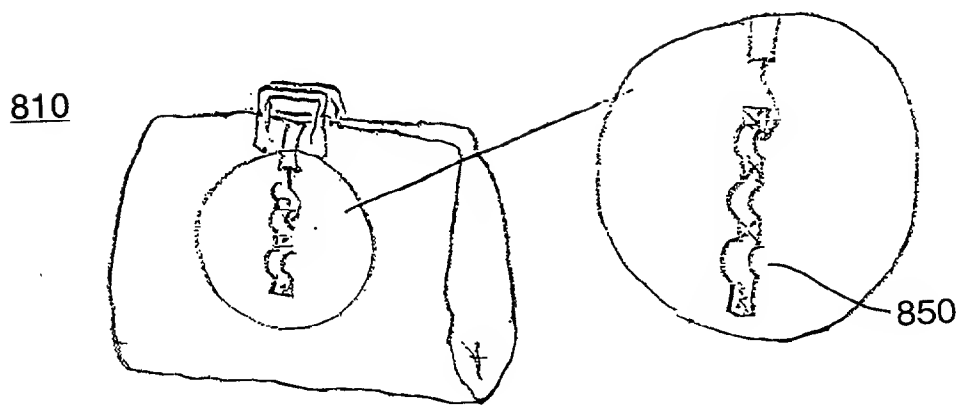
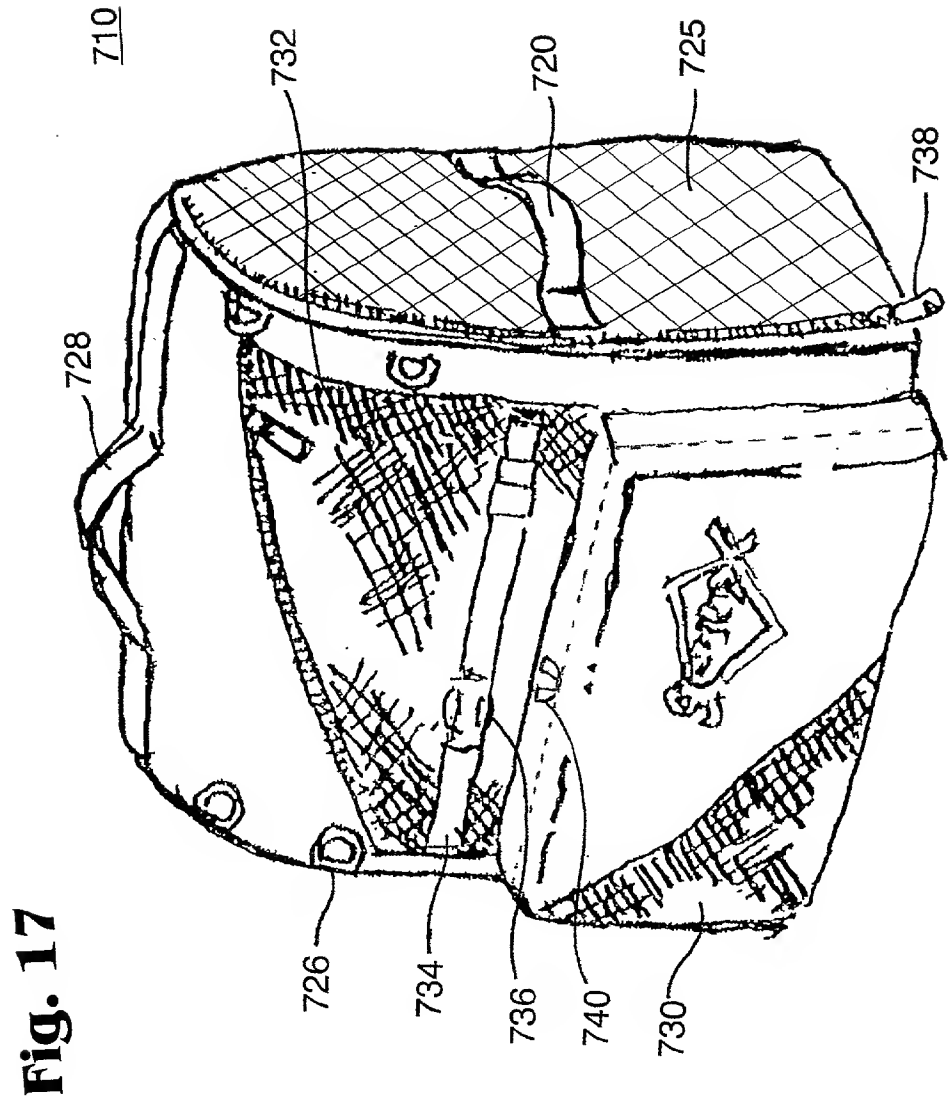


Fig. 16

FIG. 14

FIG. 17



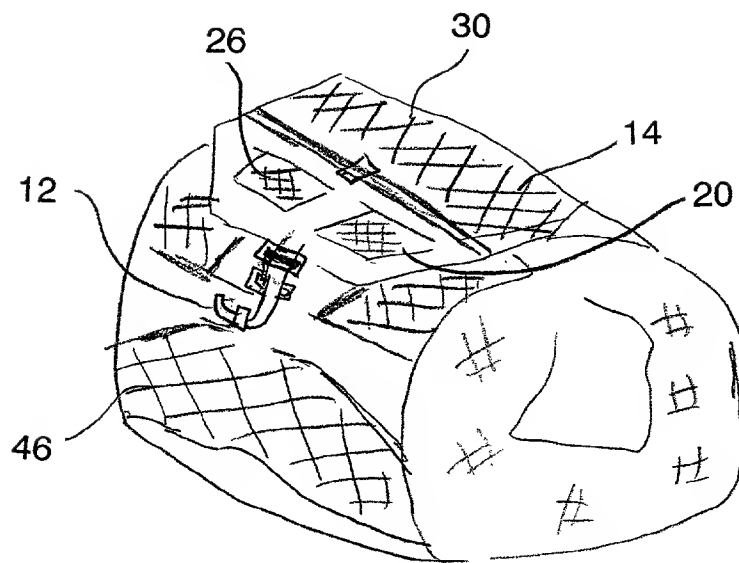


Fig. 18

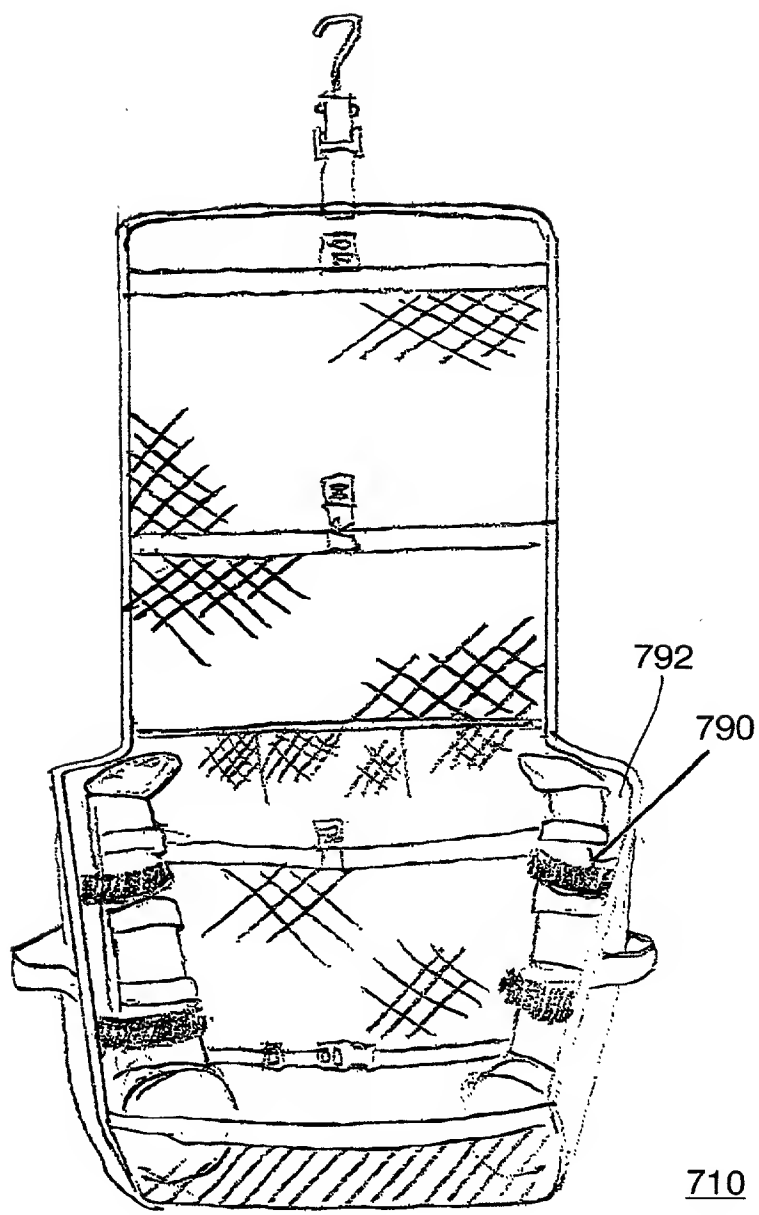


Fig. 19